

10G XFP ZR 1550nm 80KM SOXP-5599-80

● Features :

- Supports 9.95Gb/s to 11.3Gb/s Bit Rates
Hot-pluggable XFP Footprint
- Maximum Link Length up to 80km
- Temperature-Stabilized EML transmitter
Duplex LC Connector
- Built-in Digital Diagnostic Functions
- Case Operating Temperature:
Standard: 0°C to 70°C

● Applications :

- OC192/ STM 64
- 10GBASE-ZR/ZW 10G Ethernet
- 1200-SM-LL-L 10G Fiber Channel
- P1L1-2D2
- ITU-T G.709

● Absolute Maximum Ratings

Table 1- Absolute Maximum Ratings

Parameter	Symbol	Min.	Typical	Max.	Unit	Notes
Storage Temperature	Ts	-40	-	85	°C	
Supply Voltage	Vcc5	-0.5	-	4.0	V	
Operating Humidity	RH	-	-	+85	%	

● Recommended Operating Conditions

Table 2- Recommended operating Conditions

Parameter	Symbol	Min.	Typical	Max.	Unit	Notes
Operating Case Temperature	Top	0	-	70	°C	
Power Supply Voltage	Vcc5	4.75	5.0	5.25	V	

10G XFP ZR 1550nm 80KM SOXP-5599-80

	VCC3	3.14	3.3	3.46	V	
Power Supply Current	ICC5	-	-	370	mA	
	ICC3	-	-	500	mA	
Power Dissipation	PD	-	-	3.5	W	
Data Rate	BR	9.95		11.3	Gbps	
Transmission Distance	TD	2		40000	m	

● Electrical Characteristics

Table 3- Electrical Characteristics

Transmitter						
Parameter	Symbol	Unit	Min	Typ	Max	Notes
Differential Data Input swing	V _{in,p-p}	mVpp	120	-	820	
Input Differential impedance	Z _{in}	Ω	85	100	115	
Tx_Disable,P_Down/RST	V _{IL}	V	-0.3		0.8	
	V _{IH}	V	2.0	-	V _{cc} +0.3	
Receiver						
Differential Data Output	V _{out,p-p}	mVpp	340		850	
Output Differential impedance	Z _{in}	Ω	80	100	120	
Output Rise Time,20%-80%	T _r	Ps	28			
Output Fall Time,20%-80%	T _f	Ps	28			
Rx_Los,Mod_NR,Interrupt	V _{oL}	V	0		0.4	
	V _{oH}	V	V _{cc} -0.5		V _{cc} +0.3	

● Transmitter Performance :

Table 4- optical TX Characteristics

Parameter	Symbol	Min.	Typical	Max.	Unit	Notes
Tx_Fault	Normal Operation	V _{OL}	-0.3	-	0.4	V
	Transmitter Fault	V _{OH}	2.4	-	V _{cc}	V
	Laser Disable	V _{IH}	2.0	-	V _{CC} +0.3	V
Average Launch Optical Power	P _{out}	0	-	+4	dBm	1
Extinction Ratio	ER	9	-	-	dB	2

10G XFP ZR 1550nm 80KM SOXP-5599-80

Average Launch power of OFF TX	Poff	-	-	-30	dBm	1
Optical Wavelength	λ	1530	-	1565	nm	
Dispersion penalty@9.95/10.7Gpbs	DP1	-	-	2	dB	2
Dispersion penalty@11.1/11.3Gpbs	DP2	-	-	3	dB	3
Side Mode Suppression Ratio	SMSR	35	-	-	dB	

Note:

1. The optical power is launched into SMF.
2. Measured with a PRBS 231-1 test pattern @9.95Gbps.
3. Measured with a PRBS 231-1 test pattern , @11.1Gbps. BER≤10-12.

● Receiver Performance :

Table 5- optical RX Characteristics

Parameter	Symbol	Min.	Typical	Max.	Unit	Notes
Receiver Sensitivity @9.95Gpbs/10.7Gpbs	PIN_SENS1	-	-	-24	dBm	2
Receiver Sensitivity @11.1Gpbs/11.3Gpbs	PIN_SENS2	-	-	-23	dBm	3
Overload	PIN_OL	-7.0	-		dBm	3
Optical Center Wavelength	λ_C	1270	-	1600	nm	
Los Assert	LOSA	-38	-	-	dBm	
Los De-assert	LOSD	-	-	-25	dBm	
Los hysteresis	LOSH	0.5	-		dB	
Rx_LOS	High		2.0		Vcc+0.3	V
	Low		0		0.8	V

Note:

4. The optical power is launched into SMF.
5. Measured with a PRBS 231-1 test pattern @9.95Gbps.
6. Measured with a PRBS 231-1 test pattern , @11.1Gbps. BER≤10-12.

10G XFP ZR 1550nm 80KM SOXP-5599-80

- Recommended Host Board Power Supply Circuit

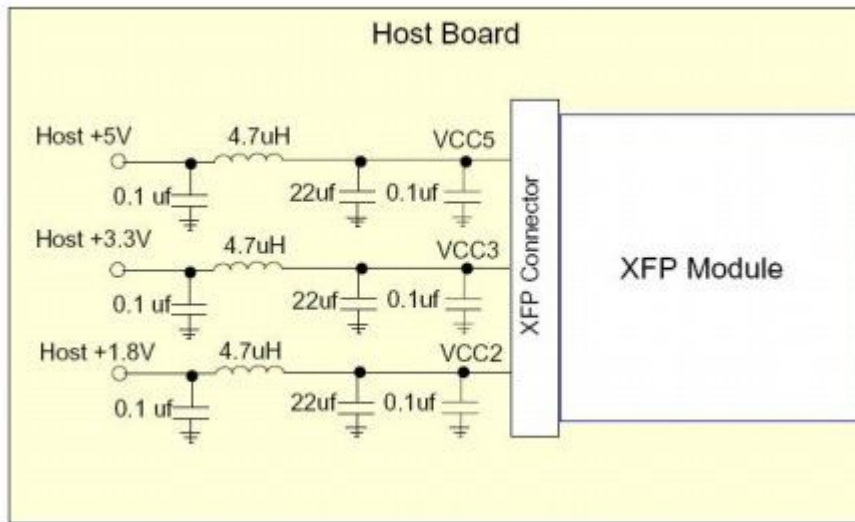


Figure 1, recommended host board power supply circuit

- Recommended interface circuit

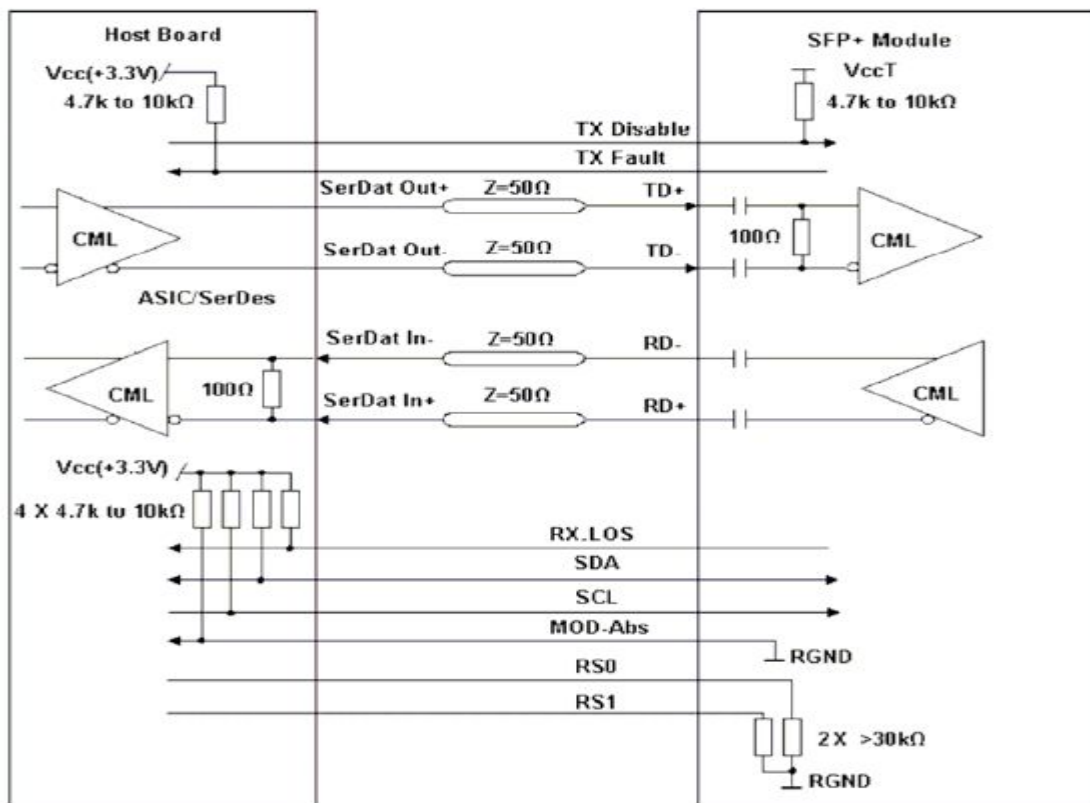


Figure 2, recommended interface circuit

10G XFP ZR 1550nm 80KM SOXP-5599-80

● XFP Pins Definitions :

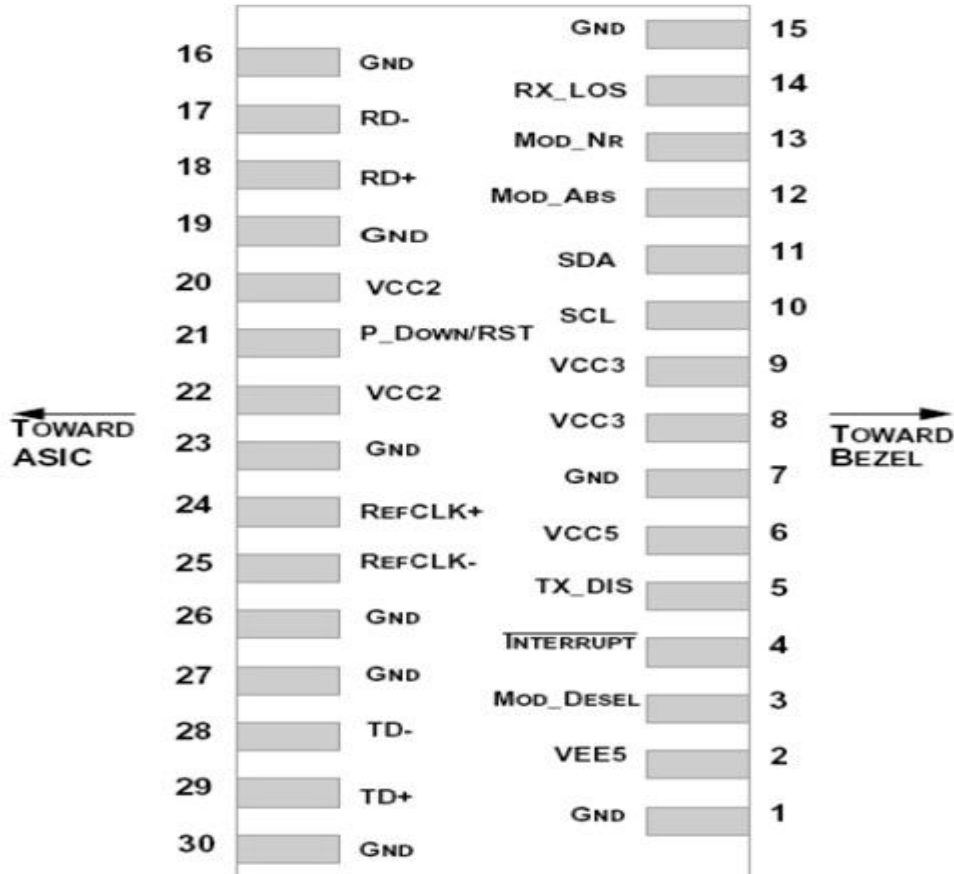


Figure 3,pins definitions

Table 6- Pin Definitions

Pin	Logic	Symbol	Name/Description	Note
1		GND	Module Ground	1
2		VEE5	Optional -5.2V Power Supply	
3	LVTTL-I	MOD_DESEL	Module De-select; When held low allows the module to respond to 2-wire serial interface	
4	LVTTL-O	INTb	Interrupt; Indicates presence of an important condition which can be read via the 2-wire serial interface	2
5	LVTTL-I	TX_DIS	Transmitter Disable; Turns off transmitter laser output	

10G XFP ZR 1550nm 80KM SOXP-5599-80

6		VCC5	+5V Power Supply	
7		GND	Module Ground	1
8		VCC3	+3.3V Power Supply	
9		VCC3	+3.3V Power Supply	
10	LVTTL-I/O	SCL	2-Wire Serial Interface Clock	2
11	LVTTL-I/O	SDA	2-Wire Serial Interface Data Line	2
12	LVTTL-O	MOD_Abs	Indicates Module is not present. Grounded in the Module	2
13	LVTTL-O	MOD_NR	Module Not Ready; Indicating Module Operational Fault	2
14	LVTTL-O	RX_LOS	Receiver Loss Of Signal Indicator	2
15		GND	Module Ground	1
16		GND	Module Ground	1
17	CML-O	RDN	Receiver Inverted Data Output	
18	CML-O	RDP	Receiver Non-Inverted Data Output	
19		GND	Module Ground	1
20		VCC2	+1.8V Power Supply	
21	LVTTL-I	P_DOWN/RST	Power down; When high, requires the module to limit power consumption to 1.5W or below. 2-Wire serial interface must be functional in the low power mode.	
			Reset; The falling edge initiates a complete reset of the module including the 2-wire serial interface, equivalent to a power cycle.	
22		VCC2	+1.8V Power Supply	
23		GND	Module Ground	1

10G XFP ZR 1550nm 80KM SOXP-5599-80

24	PECL-I	REFCLKP	Not used, internally terminated to 50ohm (100ohm diff).	3
25	PECL-I	REFCLKN	Not used, internally terminated to 50ohm (100ohm diff).	3
26		GND	Module Ground	1
27		GND	Module Ground	1
28	CML-I	TDN	Transmitter Inverted Data Input	
29	CML-I	TDP	Transmitter Non-Inverted Data Input	
30		GND	Module Ground	1

Note:

1. Module circuit ground is isolated from module chassis ground within the module.
2. Open collector; should be pulled up with 4.7k – 10k ohm on host board to a voltage between 3.15V and 3.6V.
3. A Reference Clock input is not required.

10G XFP ZR 1550nm 80KM SOXP-5599-80

● Mechanical Dimension :

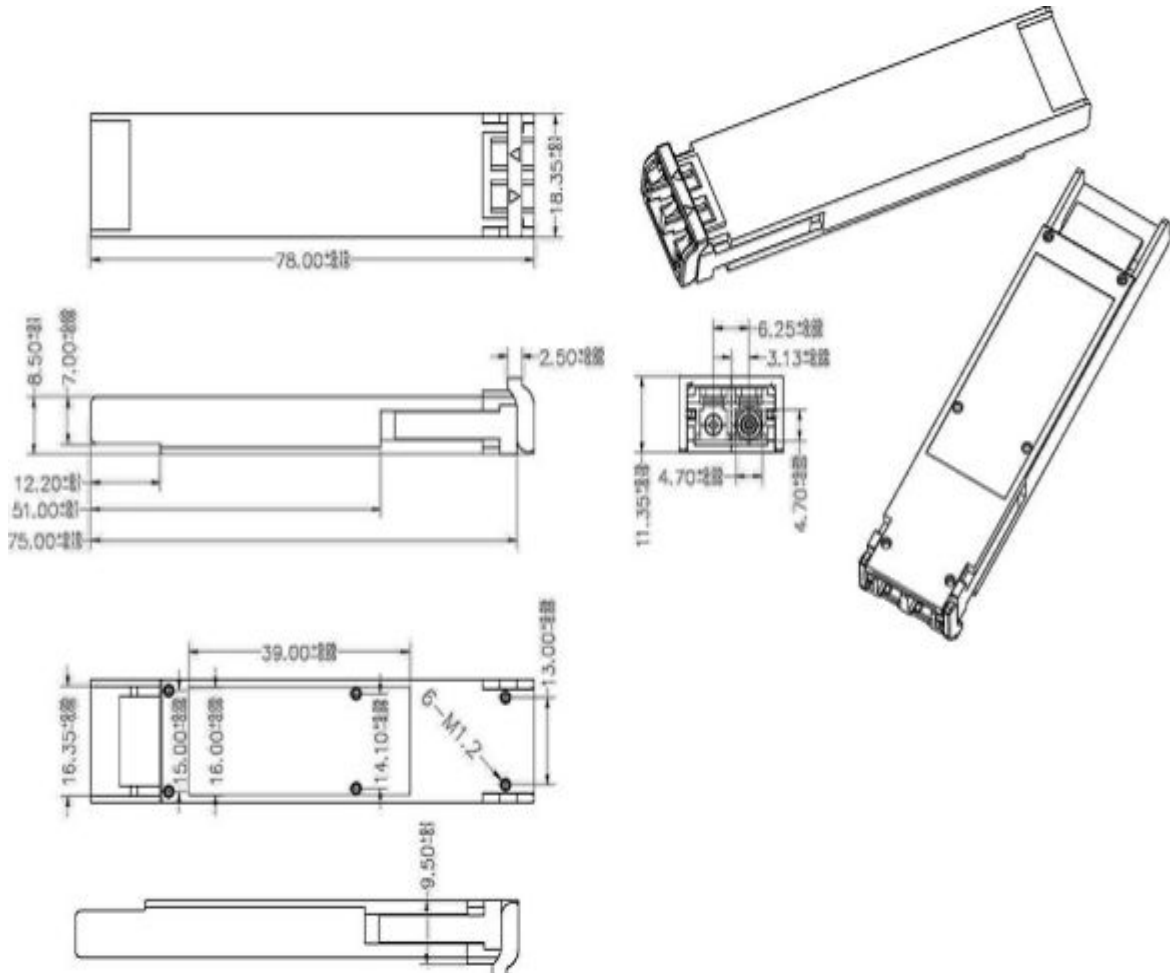


Figure 4,mechanical dimension

● Order Information and Related Products :

Table 7-order information

Part Number	Product Description
SOXP-5599-80	XFP ZR 1550nm EML, 0°C~70°C, 80Km

10G XFP ZR 1550nm 80KM

SOXP-5599-80

- Notice

SINOVO reserves the right to make changes to or discontinue any optical link product or service identified in this publication, without notice, in order to improve design and/or performance. Applications that are described herein for any of the optical link products are for illustrative purposes only. SINOVO makes no representation or warranty that such applications will be suitable for the specified use without further testing or modification.

- Contact

Shenzhen Sinovo Telecom Co., Ltd

Tel:+86(0)0755-32959919 Fax:+86(0)755 32959918

Email: sales@sinovocorp.com

Web:www.sinovocorp.com

Factory: 5/F, University Chuangye Park, Taoyuan Street, Xi Li Town,
Nanshan

District, Shenzhen, Guangdong