

SOSPb-3524-02D SOSPb-5324-02D
 SOSPb-3524-20D SOSPb-5324-20D
 SOSPb-3524-40D SOSPb-5424-40D

● **Shenzhen Sinovo Telecom Co.,Ltd**

● **Features :**

- SDH STM-16 SONET OC- 48
- High Speed Data Communication
- SFP MSA package with Simplex SC connector
- Compliant with ITU -T G.957
- transmission with 9/125 μm SMF
- Single 3.3V Power Supply and LVTTTL Logic
- Very low EMI and excellent ESD protection
- Operating Case Temperature: 0°C ~+70°C
- RoHS compliant
- Class 1 laser safety certified

● **Absolute Maximum Ratings**

Table 1- Absolute Maximum Ratings

Parameter	Symbol	Min.	Typ.	Max.	Unit	Notes
Supply Voltage	Vcc	-0.5	-	+3.6	V	
Storage Temperature	Ts	-40	-	85	°C	
Operating Relative Humidity	RH	+5	-	+95	%	

● **Recommended Operating Conditions**

Table 2- Recommended operating Conditions

SOSPB-3524-02D SOSPB-5324-02D
 SOSPB-3524-20D SOSPB-5324-20D
 SOSPB-3524-40D SOSPB-5424-40D

Parameter	Symbol	Min.	Typ.	Max.	Units	Notes
Operating Case Temperature	T_C	0	-	70	°C	
Power Supply Voltage	V_{CC}	3.14	3.3	3.46	V	
Power Supply Current	I_{CC}	-	-	300	mA	
Power Dissipation	P_D	-	-	1	W	
Data Rate		-	2488	-	Mbps	

● Electrical Characteristics

Table 3- Electrical Characteristics

Parameter	Symbol	Min.	Typ.	Max.	Units	Notes	
Differential Data Input Swing	$V_{in\ p-p}$	200	-	2400	mV	1	
Input Differential Impedance	R_{IN}	80	100	120	Ω		
Tx_Disable	Laser Disable	V_{OH}	2.0	-	$V_{CC}+0.5$	V	
	Normal Operation	V_{OL}	GND	-	GND+0.8	V	
TX_Fault	Transmitter Fault	V_{OH}	2.0	-	$V_{CC}+0.5$	V	
	Normal Operation	V_{OL}	GND	-	GND+0.8	V	
Differential Data Output Swing	$V_{out\ p-p}$	750	900	1050	mV	2	
Rx_LOS	Los Signal	V_{OH}	2.0	-	$V_{CC}+0.5$	V	
	Normal Operation	V_{OL}	GND	-	GND+0.8	V	

Note:

1. Internally AC coupled, input termination may be required for CML or LVPECL applications.
2. Internally AC coupled, CML differential output stage.

● Optical Characteristics

Table 4-Optical Characteristics

SOSPB-3524-02D SOSPB-5324-02D
 SOSPB-3524-20D SOSPB-5324-20D
 SOSPB-3524-40D SOSPB-5424-40D

Parameter	Symbol	Min.	Typ.	Max.	Unit		Notes
Transmitter							
Average Output Power	P_{OUT}	-10		-3	dBm	2km	1
		-5		0		20km/40km	
Mean Wavelength	λ	1290	1310	1330	nm	SOBS-3524-xxx	
		1480	1490	1500		SOBS-4524-xxx	
		1540	1550	1560		SOBS-5324-xxx SOBS-5424-xxx	
Extinction Ratio	ER	8.2	-	-	dB		
Spectral Width(RMS)	$\Delta\lambda$	-	-	1	nm		
P_{out} @TX Disable Asserted	P_{OUT}	-	-	-45	dB		
Rise/Fall Time (20%~80%)	T_r/T_f			260	ps		
Receiver							
Receiver Power	P_{in}		-	-20	dBm		2
Centre Wavelength	λ_C	1290	1310	1330	nm	SOBS-5324-xxx	
		1480	1490	1500		SOBS-5424-xxx	
		1530	1550	1570		SOBS-3524-xxx SOBS-4524-xxx	
Receiver Overload	$R_{sens,high}$	-3	-	-	dBm		
Damage Threshold For Receive	$P_{in, damage}$	0					
Receiver Reflectance	RX_r	-	-	-12	dB		
LOS De-Assert	LOS_D	-	-	-21	dB		
LOS Assert	LOS_A	-31	-	-	dB		
LOS Hysteresis		0.5		-	dB		

SOSPB-3524-02D SOSPB-5324-02D
 SOSPB-3524-20D SOSPB-5324-20D
 SOSPB-3524-40D SOSPB-5424-40D

Note:

1. Coupled into 9/125 SMF.
2. Measured with PRBS 2²³-1 test pattern @2.488Gbps.BER=10E-12

● **Recommended Interface Circuit**

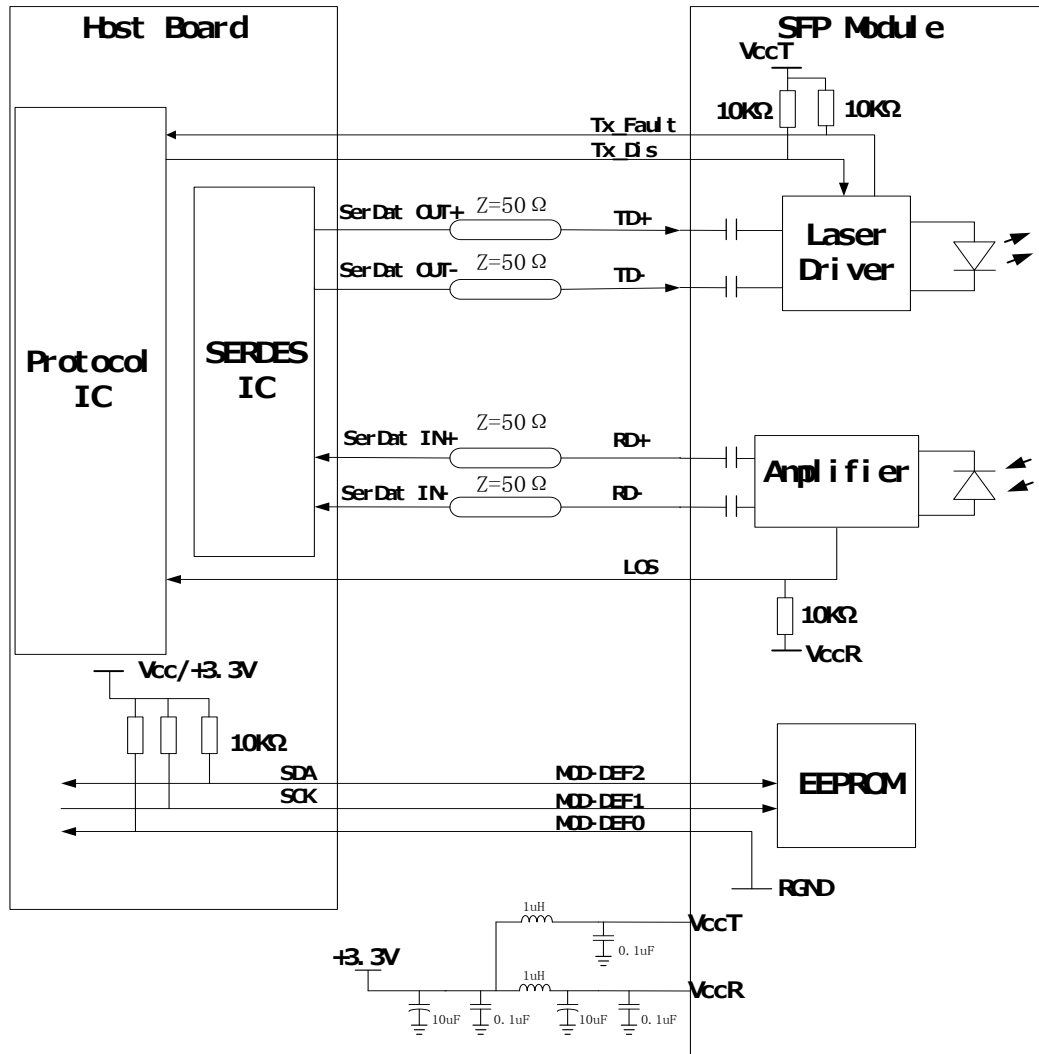


Figure 1, Recommended Interface Circuit

SOSPB-3524-02D SOSPB-5324-02D
 SOSPB-3524-20D SOSPB-5324-20D
 SOSPB-3524-40D SOSPB-5424-40D

● Pin arrangement

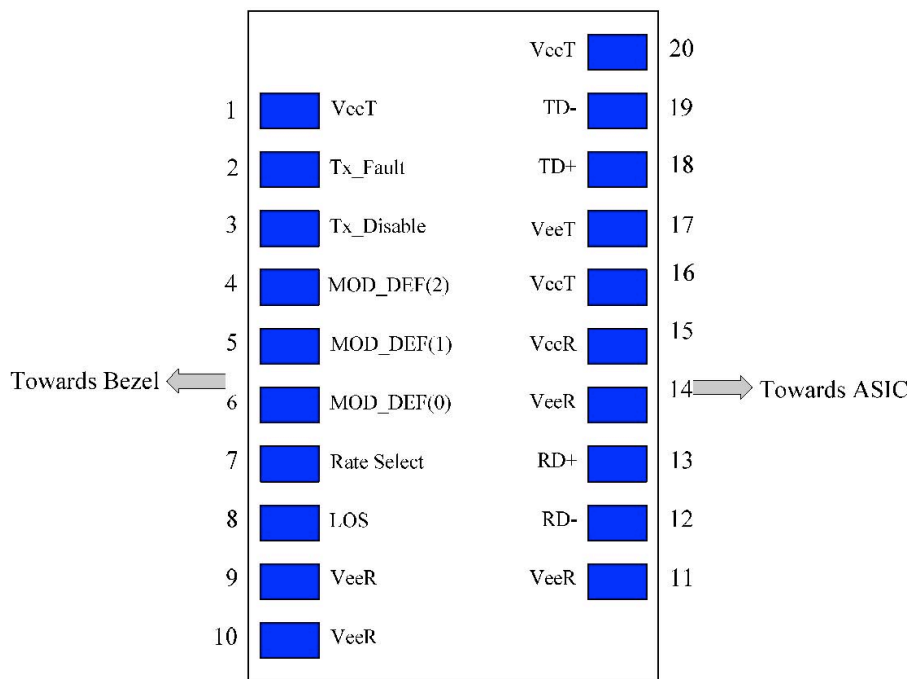


Figure 2, Pin View

Table 5-Pin Function Definitions

Pin	Name	FUNCTION	Plug Seq.	Notes
1	VeeT	Transmitter Ground	1	
2	TX Fault	Transmitter Fault Indication	3	1
3	TX Disable	Transmitter Disable	3	2
4	MOD-DEF 2	Module Definition 2	3	3
5	MOD-DEF 1	Module Definition 1	3	3

SOSPB-3524-02D SOSPB-5324-02D
 SOSPB-3524-20D SOSPB-5324-20D
 SOSPB-3524-40D SOSPB-5424-40D

6	MOD-DEF 0	Module Definition 0	3	3
7	Rate Select	Not Connect	3	
8	LOS	Loss of Signal	3	4
9	VeeR	Receiver Ground	1	
10	VeeR	Receiver Ground	1	
11	VeeR	Receiver Ground	1	
12	RD-	Inv. Received Data Out	3	
13	RD+	Received Data Out	3	
14	VeeR	Receiver Ground	1	
15	VccR	Receiver Power	2	3.3V ± 5%
16	VccT	Transmitter Power	2	3.3V ± 5%
17	VeeT	Transmitter Ground	1	
18	TD+	Transmit Data In	3	
19	TD-	Inv. Transmit Data In	3	
20	VeeT	Transmitter Ground	1	

Note:

- TX Fault is open collector output which should be pulled up externally with a 4.7K~10KΩ resistor on the host board to voltage between 2.0V and V_{CC}+0.3V. Logic 0 indicates normal operation; logic 1 indicates a laser fault of some kind. In the low state, the output will be pulled to less than 0.8V.
- TX Disable input is used to shut down the laser output per the state table below. It is pulled up within the module with a 4.7~ 10K resistor.

Low (0- 0.8V):	Transmitter on
Between (0.8V and 2V):	Undefined
High (2.0 – V _{CC} T):	Transmitter Disabled
Open:	Transmitter Disabled
- MOD-DEF 0, 1, 2. These are the module definition pins. They should be pulled up with a 4.7~10K resistor on the host board to supply less than V_{CC}T+0.3V or V_{CC}R+0.3V.
 - MOD-DEF 0 is grounded by the module to indicate that the module is present.
 - MOD-DEF 1 is clock line of two wire serial interface for optional serial ID.
 - MOD-DEF 2 is data line of two wire serial interface for optional serial ID.
- LOS (Loss of signal) is an open collector output, which should be pulled up with a 4.7k~10kΩ resistor on the host board to a voltage between 2.0V and V_{CC}+0.3V. Logic 0 indicates normal operation; logic 1 indicates loss of signal. In the low state, the output will be pulled to less than 0.8V.

SOSPB-3524-02D SOSPB-5324-02D
 SOSPB-3524-20D SOSPB-5324-20D
 SOSPB-3524-40D SOSPB-5424-40D

● **Digital Diagnostic Memory Map**

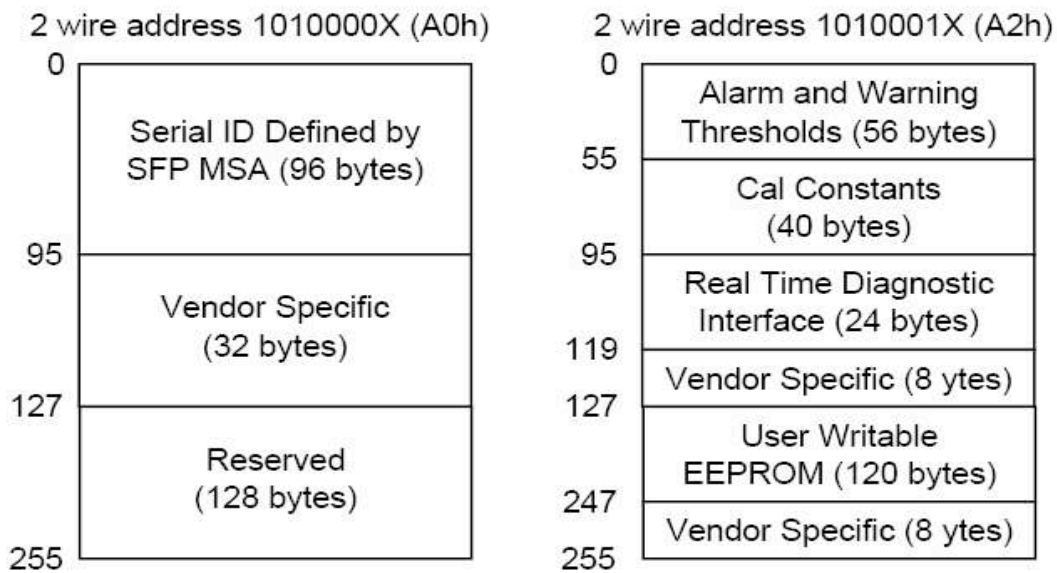


Figure 3, memory map

SOSPB-3524-02D SOSPB-5324-02D
 SOSPB-3524-20D SOSPB-5324-20D
 SOSPB-3524-40D SOSPB-5424-40D

● **Mechanical Diagram**

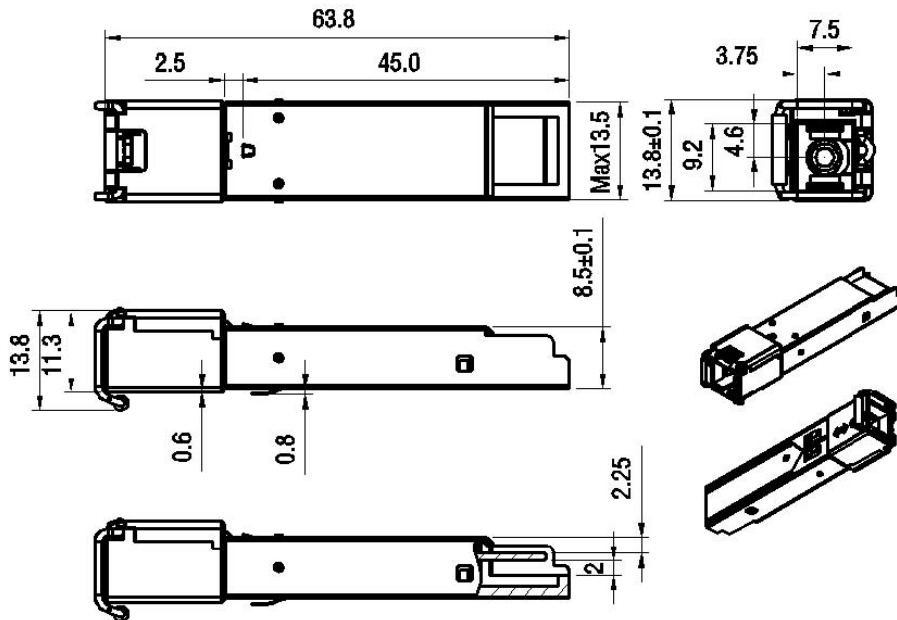


Figure 4, mechanical diagram

● **Ordering information**

Table 6 Ordering information



SFP Bi-Di 2.5Gbps Transceiver

SOSPB-3524-02D SOSPB-5324-02D
 SOSPB-3524-20D SOSPB-5324-20D
 SOSPB-3524-40D SOSPB-5424-40D

Part No.	DD M	Tx Wavelength	Rx Wavelength	Fiber Type	Optical Interface	Distance
SOSPB-3524-02D	YES	1310nm	1550nm	SMF	SC/LC	2km
SOSPB -3524-02	NO					
SOSPB -5324-02D	YES	1550nm	1310nm	SMF	SC/LC	2km
SOSPB -5324-02	NO					
SOSPB -3524-20D	YES	1310nm	1550nm	SMF	SC/LC	20km
SOSPB -3524-20	NO					
SOSPB -5324-20D	YES	1550nm	1310nm	SMF	SC/LC	20km
SOSPB -5324-20	NO					
SOSPB -4524-40D	YES	1490nm	1550nm	SMF	SC/LC	40km
SOSPB -4524-40	NO					
SOSPB -5424-40D	YES	1550nm	1490nm	SMF	SC/LC	40km
SOSPB -5424-40	NO					

● Notice

SINOVO reserves the right to make changes to or discontinue any optical link product or service identified in this publication, without notice, in order to improve design and/or performance. Applications that are described herein for any of the optical link products are for illustrative purposes only. SINOVO makes no representation or warranty that such applications will be suitable for the specified use without further testing or modification.

● Contact

Shenzhen SINOVO Telecom Co., ltd



SFP Bi-Di 2.5Gbps Transceiver

SOSPB-3524-02D SOSPB-5324-02D
SOSPB-3524-20D SOSPB-5324-20D
SOSPB-3524-40D SOSPB-5424-40D

Tel:+86(0)0755 32959919 Fax:+86(0)755 32959918
Web:www.sinovocorp.com Email: sales@sinovocorp.com
Factory ADD: 5/F Chuang Park, Taoyuan Street, Baoan District, Shenzhen, China 518000
Head Quarter: 11/F, Taibang Technology Building, Gaoxin South 4th, Science and
Technology Park South, Nanshan, Shenzhen, China 518040